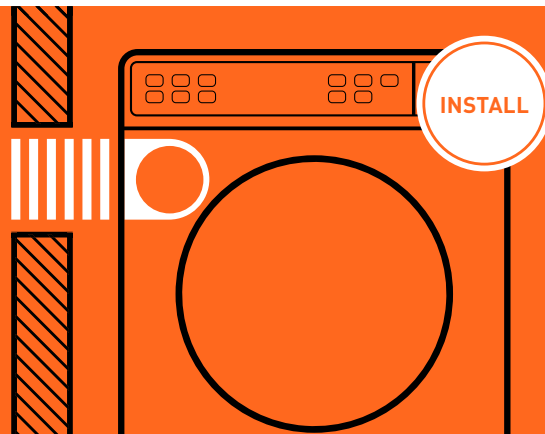


## Universal Dryer Venting Kit – Through Wall

Enjoy cleaner, fresher air in your laundry

ULX103

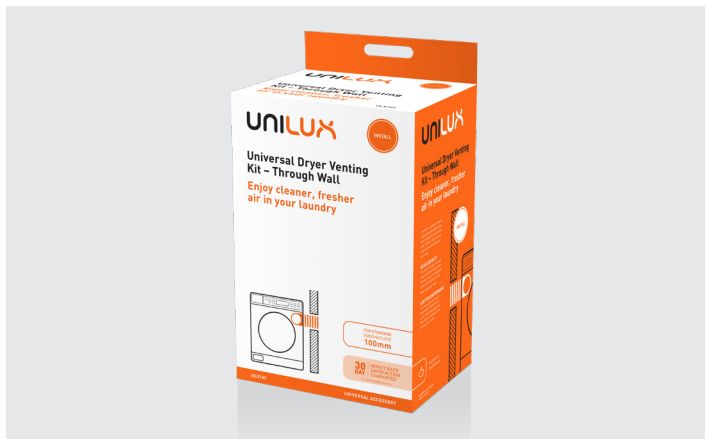


### DESCRIPTION

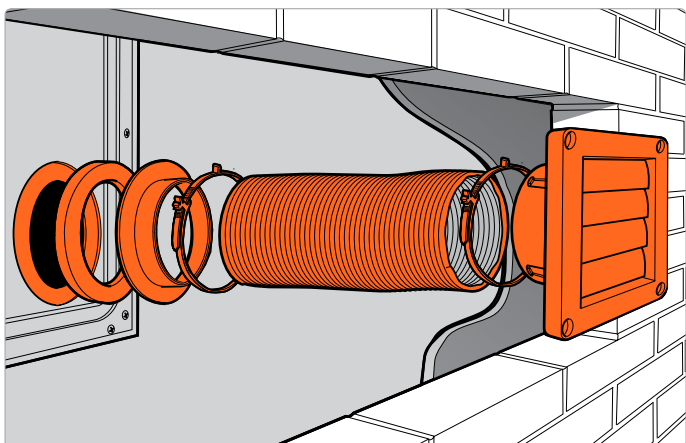
The clever through-the-wall design ensures more peace of mind, allowing you to keep doors and windows closed while using your dryer

The venting kit is designed to fit most standard sized outlets (100mm diameter).

Available at leading electrical retailers.



### INSTALL



### CONTENTS

- 2 x gasket seals
- 1 x metal flange
- 2 x self-locking hose clamps
- 1 x Flexible ducting, expandable to 2m
- 1 x Auto-closing louver vent

### TIPS/ FEATURES

- To avoid personal injury, use correct equipment and ask for assistance when moving and lifting appliances
- Minimises noise and vibration during machine operation
- Enjoy the convenient and handy slide out shelf for ease of unloading your washer or dryer.
- Helps to prevent mold and mildew on the walls by directing moist air outside of the laundry room
- Features 4 L-brackets which allow you to safely and securely stack front load washing machines and dryers. To prevent movement during operation, loading & unloading.

### SUITABLE FOR MOST BRANDS INCLUDING:

Electrolux  
Simpson

Ariston  
Beko  
Bosch

Euromaid  
Fisher & Paykel  
Gorenje  
Haier

### GET IN TOUCH WITH US

For more information on all UNILUX accessories, phone or email our customer care teams

### AUSTRALIA

1300 363 640  
customer@electrolux.com.au  
uniluxaccessories.com.au

### NEW ZEALAND

0800 234 234  
customer@electrolux.co.nz  
uniluxaccessories.co.nz